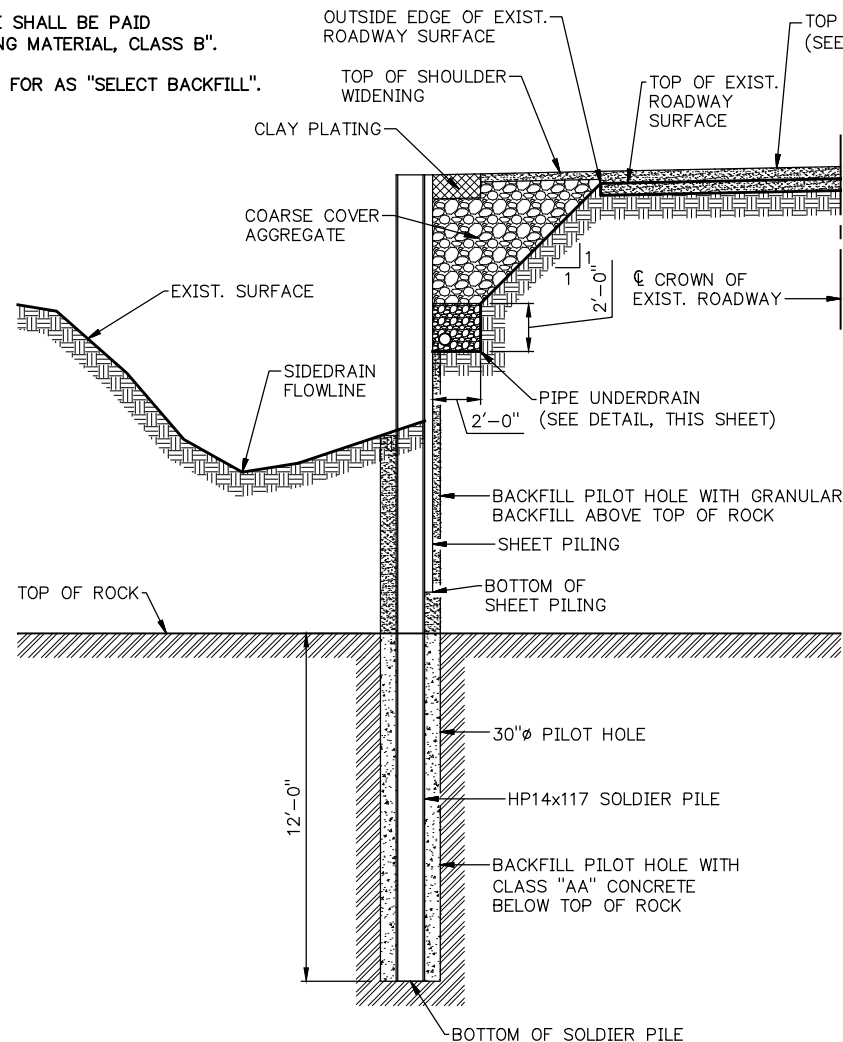
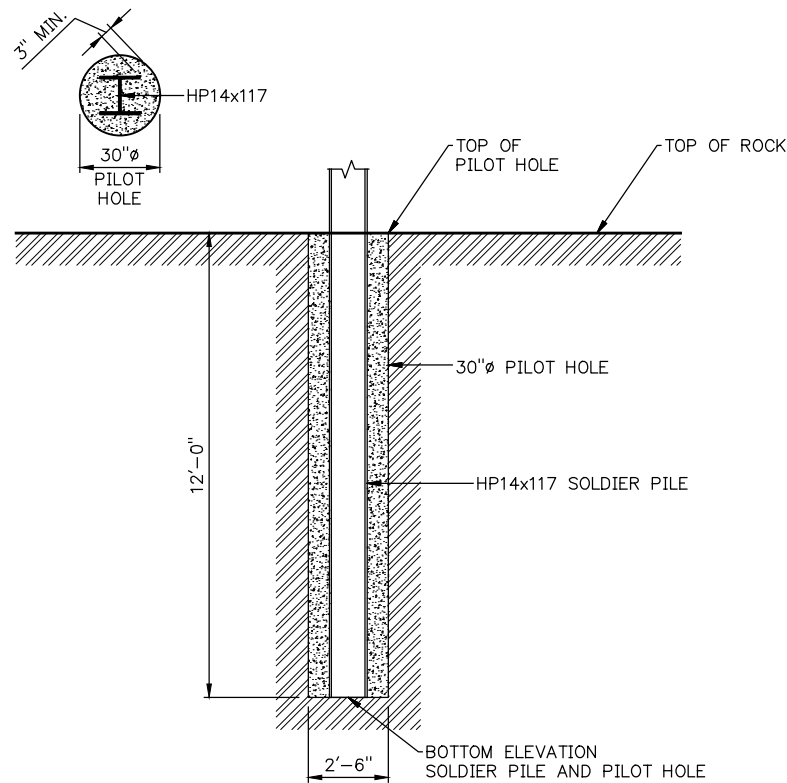


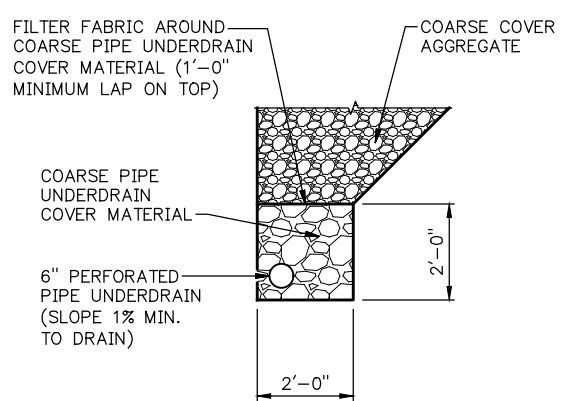
TYPICAL SECTION RETAINING WALL EXCAVATION



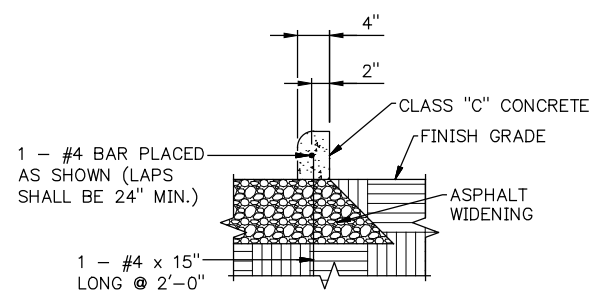
TYPICAL SECTION RETAINING WALL DRAINAGE



TYPICAL SECTION SOLDIER PILE FOUNDATION

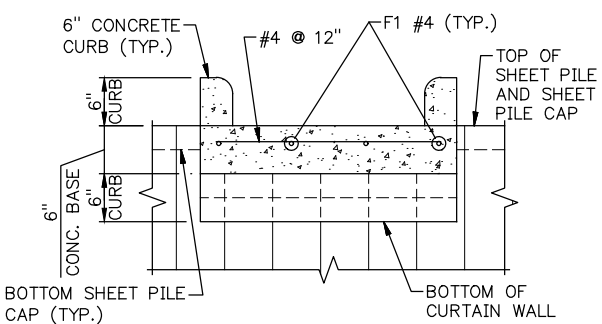


TYPICAL SECTION PIPE UNDERDRAIN



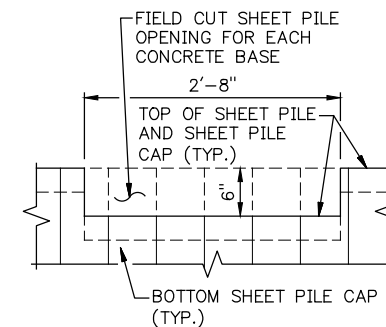
DETAIL OF 6" CONCRETE CURB (SHOWN AT OUTSIDE EDGE OF ASPHALT SHOULDER WIDENING)

NOTE: THERE IS AN ESTIMATED 30.0 LBS OF REINFORCING STEEL REQUIRED FOR BOTH 6" CONCRETE BASES.
COST OF 6" CONCRETE BASE REINFORCING TO BE INCLUDED IN PRICE BID FOR CLASS "AA" CONCRETE.

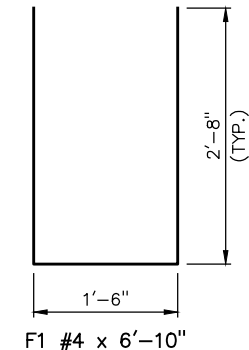


SECTION B-B

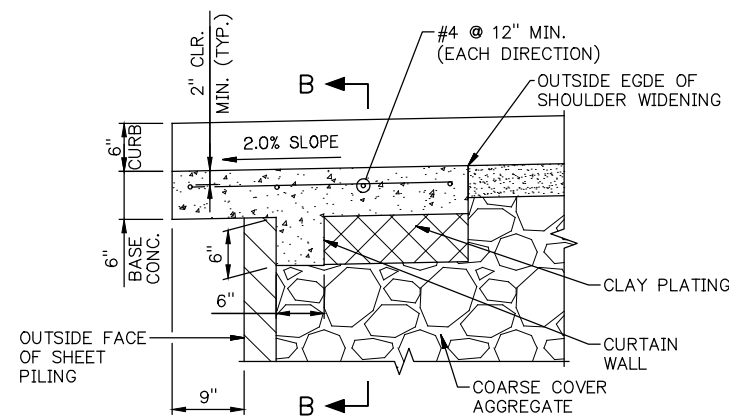
(CURB REINFORCING NOT SHOWN FOR CLARITY, SEE "DETAIL OF 6" CONCRETE CURB" FOR DETAILS)



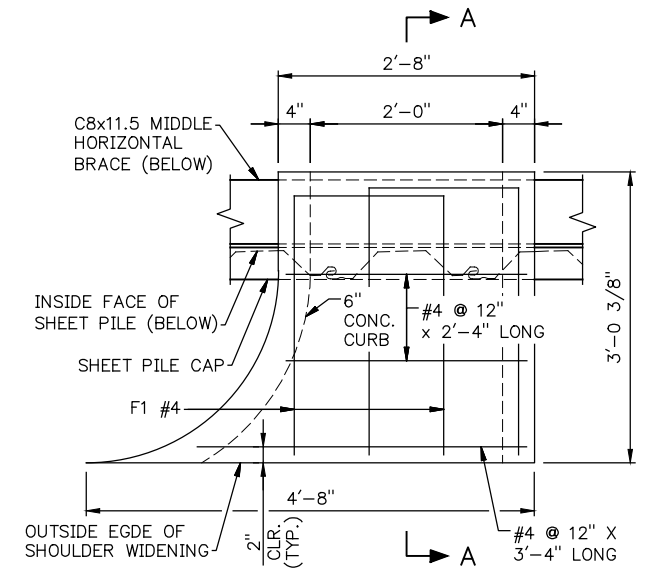
SHEET PILING CUTOUT ELEVATION



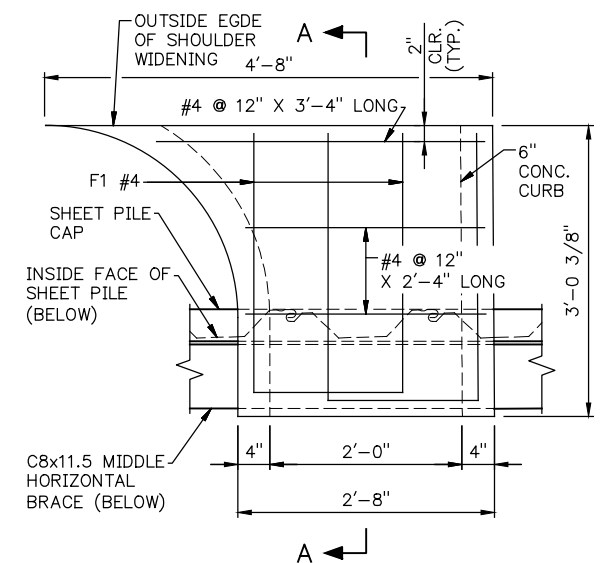
BAR BEND DETAIL



SECTION A-A



PLAN OF 6" CONCRETE BASE RETAINING WALL "A"



PLAN OF 6" CONCRETE BASE RETAINING WALL "B"

RETAINING WALL DETAILS (SHEET 1 OF 3)